

Water turbine-drive for air supply or exhaust



Steam- or compressed air-turbine drive for air supply or exhaust

COPPUS MARINE VENTILATORS

Steam-, air- and water turbine-drive ventilators

MODEL/SPECIFICATIONS

STEAM/COMPRESSED AIR TURBINE DRIVES MODEL C-12A

SUPPLY Model

delivers 5,350 cfm (9,090 m³/hr)

EXHAUST Model

delivers 4,600 cfm (7,815 m³/hr)

MODEL C-15A

SUPPLY Model

delivers 8,400 cfm (14,275 m³/hr)

EXHAUST Model

delivers 6,500 cfm (11,044 m³/hr)

WATER TURBINE DRIVES

MODEL C-12AWC

SUPPLY Model

delivers 5,000 cfm (8,495 m³/hr)

EXHAUST Model

delivers 4,700 cfm (7,985 m³/hr)

MODEL C-15AWC

SUPPLY Model

delivers 7,400 cfm (12,573 m³/hr)

EXHAUST Model

delivers 5,700 cfm (9,769 m³/hr)

SAFETY PRECAUTIONS

Always be sure unit is connected to a suitable ground connection. Mounting on non-conductive adapters or free-standing use requires a bonding cable.



Available adapters for:
- Butterworth deck and tank opening (pictured)
- Duct adapter

DESCRIPTION

These rugged, dependable cargo tank ventilators have served the shipping industry for many years. They are ideal for on-board gas-freeing, drying and ventilation operations and are available in supply or exhaust models.

STEAM/COMPRESSED AIR TURBINE-DRIVE MODELS FEATURES / ADVANTAGES

- Cast iron turbine housing with aluminum cover
- Bronze turbine wheel
- Grease-type ball bearings
- Cast aluminum fan and fan casing
- Stainless steel fasteners, mounting studs and protective screen

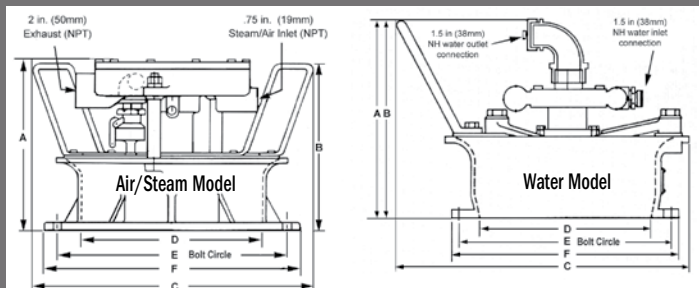
WATER TURBINE-DRIVE MODELS FEATURES / ADVANTAGES

- Cast aluminum anodized turbine housing
- Cast aluminum anodized impeller
- Cast aluminum inlet and outlet water connections
- Grease-sealed stainless steel ball bearings
- Cast aluminum fan and fan casing
- Stainless steel fasteners and protective screen

DIMENSIONS

MODEL	in/mm								NET* WT lbs/kgs
	A	B	C	D	E	F	BOLT SLOTS		
							SIZE	NO.	
C-12A	12.6 321	14.2 362	20.5 521	12.5 318	15.3 390	16.8 427	0.93 24	10	100 45
C-15A	21.0 533	14.2 362	22.2 565	15.3 387	20.5 521	21.5 546	1.12 28	8	120 54
C-12AW	14.8 376	14.2 362	22.5 572	12.5 318	15.3 390	16.8 427	0.93 24	10	63 28
C-15AW	16.5 419	14.2 362	24.5 622	15.2 387	20.5 521	21.5 546	1.12 28	8	77 35

*Net weights shown are supply units.





Lightweight, deck-mount,
compressed air drive
ventilator

COPPUS MARINE VENTURI

MODEL/SPECIFICATIONS

OPERATING PRINCIPLE

Compressed air or steam is admitted into the Marine Venturi through a single inlet connection in the housing leading to the mixing chamber. The air from the nozzle creates a Venturi action that induces a large volume of surrounding air to enter through the inlet end. The air is then forced out through the outlet at high velocity.

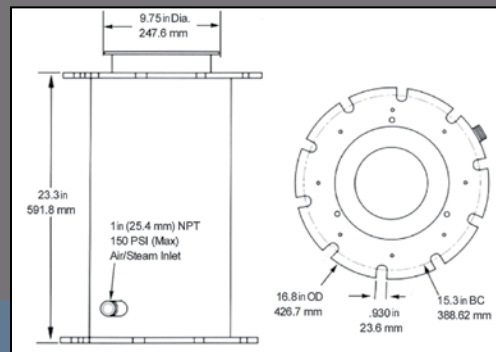
DESCRIPTION

Easy to transport, rugged and maintenance-free shipboard ventilator for degassing or delivering fresh air supply to cargo tanks and other on-board confined spaces.

FEATURES / ADVANTAGES

- Delivers 4,870 cfm (8,274 m³/hr) operating with 100 psig compressed air
- Spark-resistant, corrosion-resistant, powder-coated aluminum construction
- Weighs only 32 lbs (15 kg)
- Mates with 12 in (305 mm) Butterworth deck openings in either supply or exhaust set-up
- Built-in flange on outlet end accepts 10 in (254 mm) flexible duct, nozzles
- Stainless steel fasteners, studs and protective screen

DIMENSIONS



TECHNICAL DATA

AIR-DRIVEN		
ITEM	PSIG	dBA
Marine Venturi	80	92

MARINE VENTURI SPECIFICATIONS						
INLET PRESSURE		AIR CONSUMPTION		TOTAL AIR FLOW		INDUCTION RATIO
psig	kg/cm ²	cfm	m ³ /hr	cfm	m ³ /hr	
60	4.2	98	167	3,980	6,762	40.6
80	5.6	126	214	4,500	7,645	35.7
100	7	150	214	4,870	8,274	31.8

Mountain Controls



COPPUS®
Air Movers

Portable Ventilators
Fans & Blowers
Welding Fume Exhausters
Mist Coolers & Duct



A-T Controls, Inc.

Ball Valves and Actuators
Spring Return Electric Actuators
Resilient Seated Butterfly Valves
High Performance Butterfly Valves



MARSH®

Pressure Gauges
Thermometers
Needle Valves and Diaphragm Seals



BELLOFRAM®
Precision Controls

Precision Air Regulators
Air, Gas, Steam & Water Regulators
Vacuum and Backpressure Regulators
I/P and E/P Transducers

BelGAS

Temperature Indicators
Temperature Switches
Capillary Bulb Type

Marshalltown-Tempco



MOORE INDUSTRIES
WORLDWIDE

Process Controllers
Multi-Loop
Process Indicators with Switches



POWERS PROCESS CONTROLS
Quality...Our Commitment

Control Valves – Globe Type
Temperature Regulators
Self Contained
Temperature Controllers



RCS

Electric Actuators
Modulating Controllers
Spring Return – SURE
Mounting to your valves.



SVF
Flow Controls, Inc.

Ball Valves – 3-piece
Pneumatic Actuators
Electric Actuators
Specialty Valves



VALVES

Solenoid Valves
Water – Air – Hot Water – Steam
Pilot Valves



Valve Actuator Mounting

We stock electric actuators and can provide the mounting and testing to the valve of your choice

Mountain Controls

Mail: mountaincontrolsinc@gmail.com Web: www.mountaincontrols.com
Phone: 801-487-8795 Fax: 801-487-8798
Salt Lake City, UT 84109