



POWERS

A WATTS INDUSTRIES CO.

3-WAY MIXING, BRONZE BODY

- ▶ 1/2", 3/4", 1", 1-1/4", 1-1/2", and 2" Screwed NPT Ends
- ▶ ANSI Class 125 or 250 Body Rating
- ▶ ANSI Class IV Close off
- ▶ Bronze Trim with EP or Teflon Discs
- ▶ Quick Opening Flow Characteristic
- ▶ 46" Pneumatic Diaphragm Actuator
- ▶ Stainless Steel Hardware
- ▶ NAMUR Standard Yoke for Accessories

DESCRIPTION

The rugged Powers Type WM (mixing bronze body) valve is primarily used for fluid mixing and bypass applications. The WM is not intended for diverting (one inlet, two outlet) applications. The soft seat plug provides tight (class IV) close off. Standard disc material is EP

(rubber), teflon is an alternative disc choice for glycol/water and other chemical mixes and/or higher temperature applications. The WM's control and close off characteristics are particularly well-suited to commercial water tempering and industrial applications.

DIMENSIONAL INFORMATION (For other sizes consult factory)

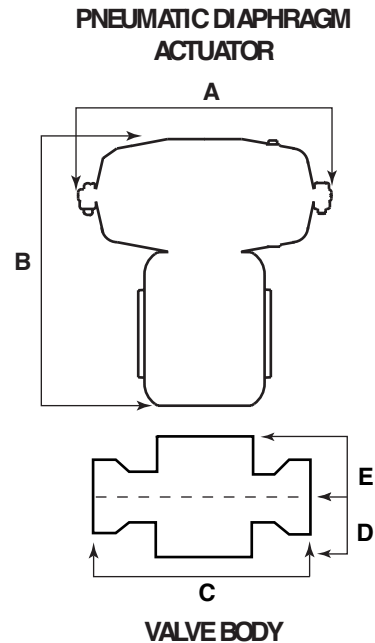
Pneumatic Actuators

Actuator*	A	B	lbs
46"	10"	10-3/8"	14

Valve Body

Size	C	D	E	lbs
1/2	2-7/8"	1-3/4"	2-3/8"	2
3/4	3-3/8"	2-1/8"	2-5/8"	3
1	3-7/8"	2-7/16"	2-11/16"	4
1-1/4"	4-5/8"	2-5/8"	3-1/16"	6
1-1/2"	5-3/16"	2-7/8"	3-5/16"	8
2	6-1/4"	3-15/16"	3-8/8"	14

*See Actuator Selection on page 5.



APPLICATION

To properly size a valve either follow these criteria or use the PowerSize® valve sizing program available at www.powerscontrols.com.

- **Body Material and Rating.** Bronze body, ANSI Class 125 (1/2" – 1"), ANSI Class 250 (1 1/4" – 2"), screwed NPT ends. Refer to Body Temperature/Pressure Ratings table to insure your application fits in the acceptable operating range. Also determine that the valve body material is compatible with your media.
- **Trim Material.** Bronze trim is for applications under 50 PSI.
- **Flow Coefficient (CV Rating).** Refer to PowerSize Valve Sizing Program, Powers' Engineering Guide (form #PEG v1), or specifying engineer's data to determine Cv. Select a valve size that most closely matches the calculated Cv from the Flowing ΔP, Close Off ΔP, and Cv Ratings table.
- **Flowing Pressure Drop (ΔP).** To avoid cavitation and its accompanying trim damage, operating ΔP limits should be less than the quantity (0.66 × inlet pressure) + 10 PSI. Additionally, ΔP should not exceed 50 PSI.

BODY TEMPERATURE/ PRESSURE RATINGS

ANSI Standard Ratings— Bronze Bodies

Temperature (°F)	Class 125 Lb. (psig)	Class 250 Lb. (psig)
-20 to 150	200	400
200	190	385
250	180	365
300	165	335
350	150	300
400	125	250

- **Piping.** Either as mixing or bypass (not diverting). Upper port is fail closed. (See page 7).
- **Actuator Selection.** Normal mixing operation requires only sufficient actuator force to fully stroke the valve against the specified ΔP. Three-way applications requiring tight close off against the upper or lower inlet ports require additional actuator force. The 3–15 and 1–17 columns in the Flowing ΔP, Close Off ΔP, and Cv Ratings table apply to valves with control signals coming directly from I/P transducers. The 0–30 column applies to valves using Accritem® type pneumatic controllers or valves equipped with a positioner or 0–30 PSI I/P.

Type WM CLOSEOFF ΔP AND CV RATINGS

Valve Size	CV Rating	Plug Travel	Maximum ΔP in PSI at Close Off				
			Actuator Codes		Signal to Actuator		
			Pneumatic Actuator	Pneumatic			
				3-15 PSI	1-17 PSI	0-30 PSI	
1/2	4.2	1/8	46/ 4C	50	50	50	
				-	-	-	
3/4	7.2	3/16	46/ 4C	50	50	50	
				-	-	-	
1	12	1/4	46/ 4C	50	50	50	
				-	-	-	
1-1/4	20	5/16	46/ 4C	50	50	50	
				-	-	-	
1-1/2	26	5/16	46/ 4C	48	50	50	
				-	-	-	
2	39	5/16	46/ 4C	39	50	50	
				-	-	-	

NOTE: All Pneumatic Actuators are Direct Acting. Mixing valves have two inlets and one outlet. Rated numbers are with respect to worst case conditions with zero downstream pressure and zero upstream pressure on opposing port. A 50 PSI limit is imposed for trim life considerations.

SIZING REFERENCE

STEAM TABLE

Steam Pressure PSIG	Temp. °F	Temp. °C	Sensible Heat BTU/lb.	Latent Heat BTU/lb.	Total Heat BTU/lb.
0	212	100	180	971	1151
10	239	115	207	952	1159
25	266	130	236	934	1170
50	297	147	267	912	1179
75	320	160	290	896	1186
100	338	170	309	881	1190
125	353	178	325	868	1193
150	365	185	339	858	1197
200	387	197	362	838	1200
250	406	208	381	821	1202
300	422	217	399	805	1204
400	448	231	438	778	1216
500	470	243	453	752	1205
600	489	254	475	729	1204

RECTANGULAR TANK CAPACITY IN GALLONS

$$\text{Gallons} = \frac{\text{Height} \times \text{Width} \times \text{Length (inches)}}{230}$$

or

$$\text{Gallons} = \text{H} \times \text{W} \times \text{L (ft.)} \times 7.5$$

CIRCULAR TANK STORAGE CAPACITY IN GALLONS

$$\text{Storage} = 6D^2 \times L (\text{Gallons})$$

Where: D = tank diameter in Feet
L = length in Feet

LOAD SIZING CALCULATIONS

Heating Water with Steam

Quick Method

$$\text{Lbs / hr.} = \frac{\text{GFM}}{2} \times \Delta T$$

Precise Method

$$\text{Lbs / hr.} = \frac{\text{GFM} \times 500 \times \Delta T}{h_g}$$

Heating or Cooling Water with Water

$$\text{GFM} = \text{GFM}_2 \times \frac{^\circ\text{F water}_2 \text{ temp rise or drop}}{^\circ\text{F water}_1 \text{ temp rise or drop}}$$

Heating or Cooling Water

$$\text{GPM} = \frac{\text{BTU/hr.}}{(\text{°F water temp. rise or drop}) \times 500}$$

Heating Oil with Steam

$$\text{Lbs / hr.} = \frac{\text{GFM}}{4} \times (\text{°F oil temp rise})$$

Heating Air with Water

$$\text{GPM} = 2.16 \times \frac{\text{CFM} \times (\text{°F air temp. rise})}{1000 \times (\text{°F water temp drop or rise})}$$

Heating Liquids with Steam

$$\text{Lbs. / hr.} = \frac{\text{GPM} \times 60 \times \text{CP} \times \text{W}}{h_g} \times \Delta T$$

Heating Liquids in Steam Jacketed Kettles

$$\text{Lbs. / hr.} = \frac{\text{GPM} \times \text{Cp} \times \text{S} \times 8.33}{h_g \times t} \times \Delta T$$

General Liquid Heating

$$\text{Lbs. / hr.} = \frac{\text{W} \times \text{Cp}}{h_g \times t} \times \Delta T$$

Heating Air with Steam

$$\text{Lbs. / hr.} = \frac{\text{CFM}}{900} \times \Delta T$$

GLOSSARY OF TERMS

- t = Time in Hours
- Cp = Specific Heat of Liquid
- S = Specific Gravity of Fluid
- W = Weight in Lbs
- ΔT = Temperature rise or fall in °F
- h_g = Latent Heat of Steam

CONVERSION FACTORS

- 1 lb. Steam / Hr. = 1000 BTU / Hr.
- 1 Cubic Meter = 265 US Gallons
- 1 Cubic Foot Water = 62.4 lbs
- 1 PSI = 2.04 inches of Mercury
- 1 PSI = 2.3 feet of Water
- 1 PSI = 27.7 inches of Water
- 1 U.S. Gallon Water = 231 Cubic inches
- 1 U.S. Gallon Water = 8.33 lbs

ORDERING INFORMATION

593- **W** **M** **S**

Size	Order Code
1/2".....	050
3/4".....	075
1".....	100
1-1/4".....	125
1-1/2".....	150
2".....	200

End Connections	
Stewed (NPT).....	S

Valve Trim	
Bronze/ EP Disc.....	B
Bronze/ Teflon Disc.....	T

Action	
Mixing.....	M

Packing	
Teflon V Ring.....	S
EP V Ring.....	W

**ACCESSORIES
SELECT CODE**
(see page 6)

**ACTUATOR
SELECT CODE**
(see below)

ACTUATOR SELECT CODE

CODE	PNEUMATIC DIAPHRAGM ACTUATORS
46	46 Sq. In., 1" Max Valve Stroke with Standard Springs adjustable stat w/ 7~12 lb. Fixed span
4C	46 Sq. In., 1" Max Valve Stroke with Extreme Cycle Springs adjustable stat w/ 7~12 lb. Fixed span

ORDERING INFORMATION (cont'd)

ACCESSORIES SELECT CODE

<p>BELLOFRAM 1000 I / P S</p> <p><u>Code</u> <u>Description</u></p> <p>IS 3-15 psi</p> <p>TS 1-17 psi</p> <p>US 3-27 psi</p>		<p>UTILITY POSITIONER AND I / P</p> <p><u>Code</u> <u>Description</u></p> <p>ES 4-20 mA</p>		<p>NO ACCESSORIES</p> <p><u>Code</u> <u>Description</u></p> <p>CS No accessories</p>	
<p>CONTROL/ AIR TYPE900X I / P</p> <p><u>Code</u> <u>Description</u></p> <p>ES 0-30 psi</p>		<p>UTILITY POSITIONER</p> <p><u>Code</u> <u>Description</u></p> <p>FS 3-15 PSI</p> <p>FS 3-9 PSI</p> <p>SS 9-15 PSI</p>			

I / P TRANSDUCERS

The “standard” 3-15 psi signal was originally designed as a transmission signal, not a valve actuation signal. Unbalanced control valves have their operational limits lowered when forced to operate with this 3-15 psi signal. The Fluid Controls Institute (in Standard 87-2) has recommended that a 1-17 psi air signal range be used when directly actuating a control valve without a positioner. Powers concurs with this recommendation, and therefore, offers a 1-17 psi I/P transducer and a 0-30 psi I/P transducer for maximum close-off. 3-15 psi I/P transducers should be used in conjunction with positioners.

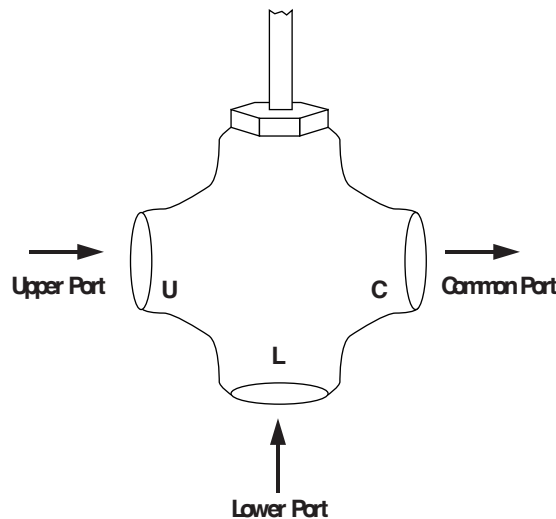
POSITIONERS

Positioners are used for one or more of the following reasons:

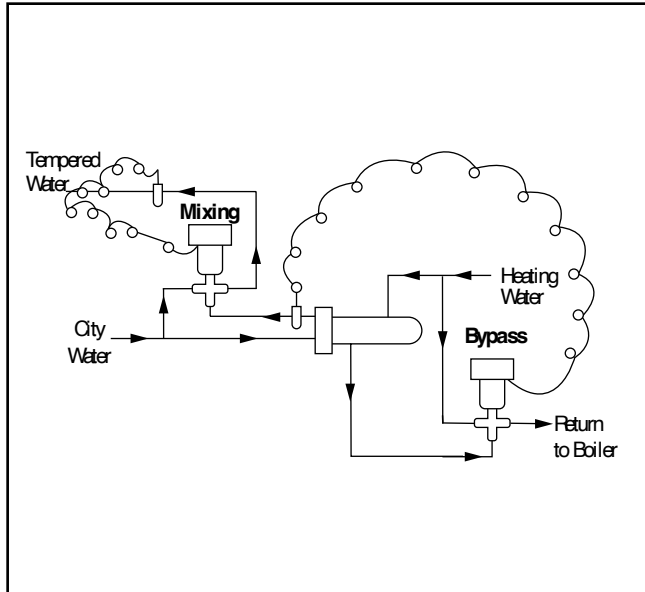
- 1) To split range valves.
- 2) To eliminate unwanted valve movement caused by line pressure variations
- 3) To minimize the effects of “stick-slip”
- 4) To speed response time and/or
- 5) To increase close-off rating when I/Ps are used.

PORT LAYOUT

Upper port is fail-closed on pneumatic diaphragm actuators and typically plumbed as the “hot” port in temperature mixing applications.



CALCULATION SKETCH AREA



Considerations: _____

Medium: _____

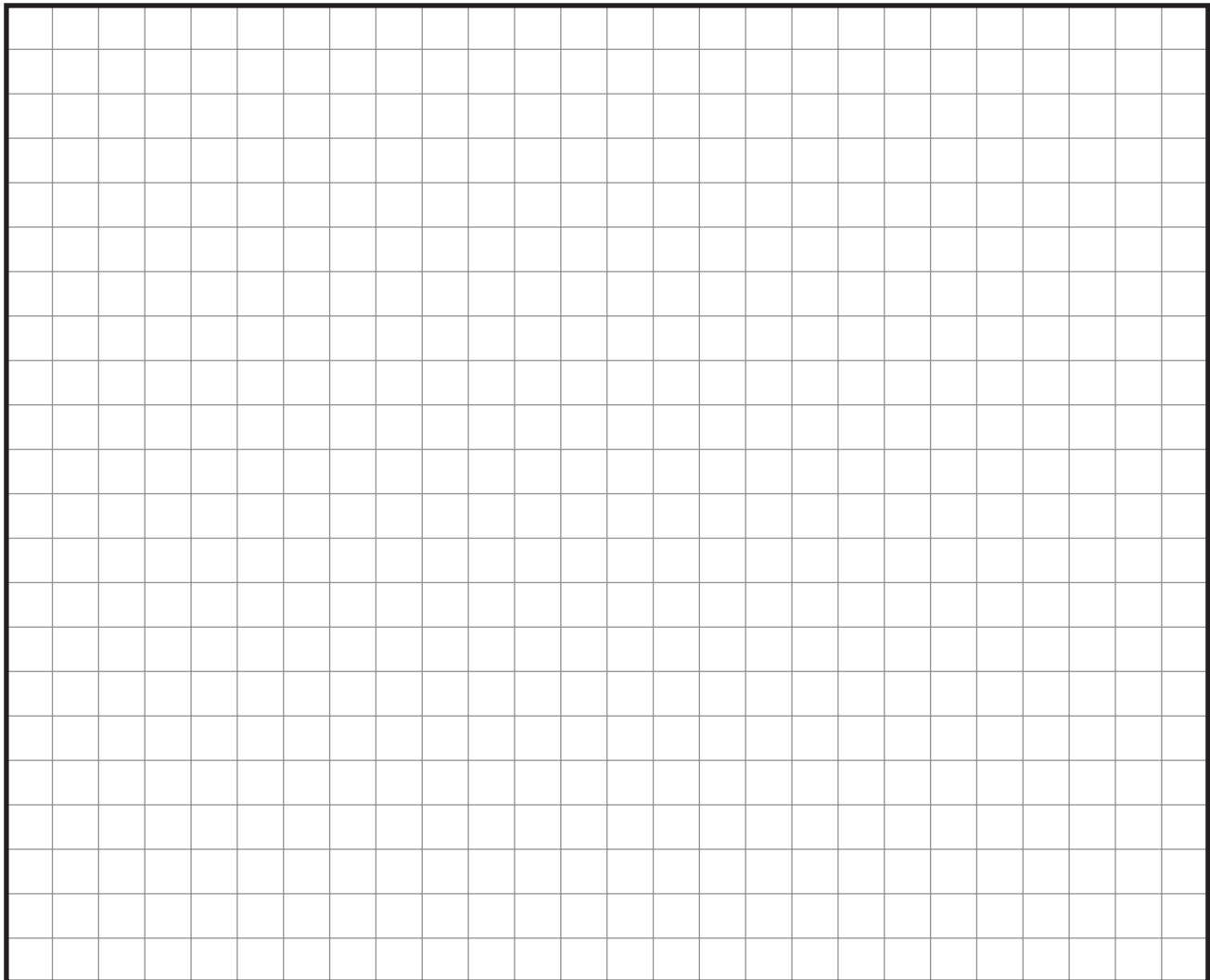
Capacity: _____

Inlet Pressures: _____

Pressure Drop: _____

Temp.: (Packing): _____

Fail Safe: _____



Mountain Controls



COPPUS®
Air Movers

Portable Ventilators
Fans & Blowers
Welding Fume Exhausters
Mist Coolers & Duct



A-T Controls, Inc.

Ball Valves and Actuators
Spring Return Electric Actuators
Resilient Seated Butterfly Valves
High Performance Butterfly Valves



MARSH®

Pressure Gauges
Thermometers
Needle Valves and Diaphragm Seals



BELLOFRAM®
Precision Controls

Precision Air Regulators
Air, Gas, Steam & Water Regulators
Vacuum and Backpressure Regulators
I/P and E/P Transducers

BelGAS
A Division of Emerson Process Control

Temperature Indicators
Temperature Switches
Capillary Bulb Type

Marshalltown-Tempco



MOORE INDUSTRIES
WORLDWIDE

Process Controllers
Multi-Loop
Process Indicators with Switches



POWERS PROCESS CONTROLS
Quality...Our Commitment

Control Valves – Globe Type
Temperature Regulators
Self Contained
Temperature Controllers



RCS

Electric Actuators
Modulating Controllers
Spring Return – SURE
Mounting to your valves.



SVF
Flow Controls, Inc.

Ball Valves – 3-piece
Pneumatic Actuators
Electric Actuators
Specialty Valves



VALVES

Solenoid Valves
Water – Air – Hot Water – Steam
Pilot Valves



Valve Actuator Mounting

We stock electric actuators and can provide the mounting and testing to the valve of your choice

Mountain Controls

Mail: mountaincontrolsinc@gmail.com Web: www.mountaincontrols.com
Phone: 801-487-8795 Fax: 801-487-8798
Salt Lake City, UT 84109