

## TRIDICATORS

- Back and Bottom Mounting Options
- Rotatable Set Pointer
- Rugged Construction
- Three-Color Dial
- Three Pressure Ranges
- 2½" & 3½" Sizes

Marsh Instruments Tridicators (Boiler Gauges) are designed and suitable for hot water heating systems. These instruments indicate pressure in psi and altitude for pools and spa's in feet of H<sub>2</sub>O; in °F and °C. All models feature a set hand for setting the desired pressure and altitude of the installation.

Typical applications include hot water boilers, heated pools, spa's and hot tubs.



### STANDARD RANGES & PART NUMBERS

TYPE	TRIDICATORS		
Size	2½"	3½"	3½"
Case Style	Round	Square	Square
Case Material	Steel	Steel	Steel
Internals	Copper Alloy	Copper Alloy	Copper Alloy
Mounting/Case Style	CB	LBM	LM
Connection	¼ NPT	½ NPT	½ NPT
Scale Standard	psi/Feet of Water	psi/Feet of Water	psi/Feet of Water
0 to 60 psi / 0 to 130 ft H <sub>2</sub> O	Y22026	Y22006	Y22002
0 to 100 psi / 0 to 230 ft H <sub>2</sub> O		Y22008	Y22004
0 to 200 psi / 0 to 460 ft H <sub>2</sub> O		Y22016	Y22012
0 to 300 psi / 0 to 680 ft H <sub>2</sub> O		Y22018	Y22014

### SPECIFICATIONS

**ACCURACY**  
ASME Grade B = ±3/2/3% (±2% of range across middle half of scale)

**CASE SIZE**  
2½" Round & 3½" Square

**CASE MATERIAL**  
Steel, black painted

**CONNECTION**  
2½" case: ¼ NPT Center Back Mount, 3½" case: ½ NPT Lower Mount or Lower Back Mount

**PRESSURE RANGES**  
Dual scale in 4 ranges:  
0 to 60 psi & 0 to 130 ft. of water  
0 to 100 psi & 0 to 230 ft. of water  
0 to 200 psi & 0 to 480 ft. of water  
0 to 300 psi & 0 to 680 ft. of water

**TEMPERATURE RANGE**  
60° to 260°F & 20° to 120°C

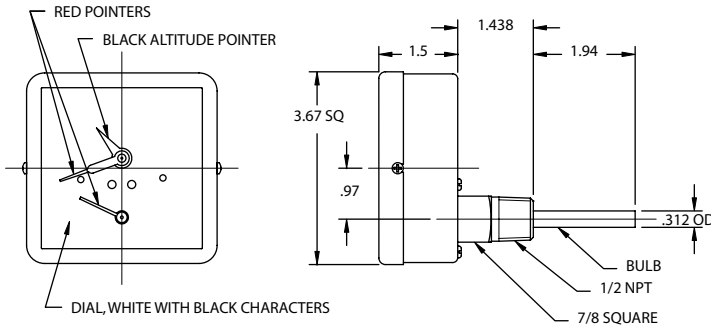
**DIALS** Black markings on white  
**TUBE & SOCKET** Copper Alloy

**POINTERS**  
Aluminum, red painted with black painted set pointer

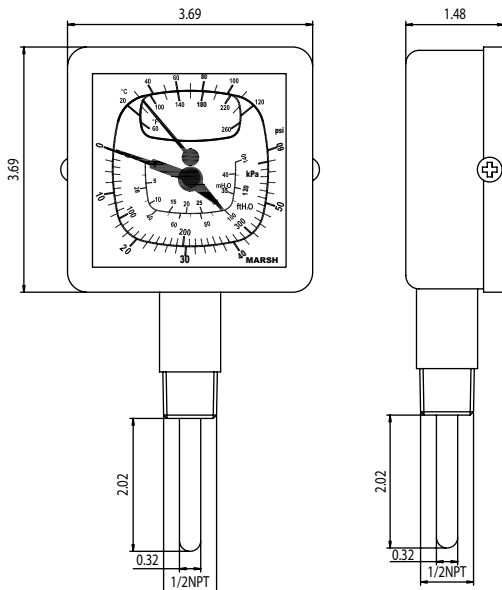
**WINDOW**  
2½" Acrylic  
3½" Glass

**WINDOW**  
2½" 2.0 lb.  
3½" 2.5 lb.

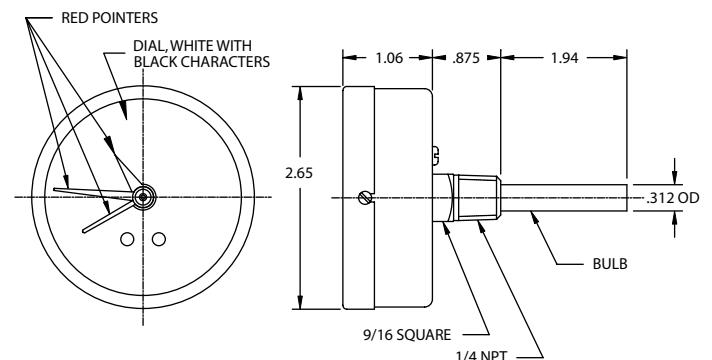
#### Y22006



#### Y22002



#### Y22026



ALL DIMENSIONS ARE NOMINAL

# Mountain Controls



**COPPUS®**  
Air Movers

Portable Ventilators  
Fans & Blowers  
Welding Fume Exhausters  
Mist Coolers & Duct



**A-T Controls, Inc.**

Ball Valves and Actuators  
Spring Return Electric Actuators  
Resilient Seated Butterfly Valves  
High Performance Butterfly Valves



**MARSH®**

Pressure Gauges  
Thermometers  
Needle Valves and Diaphragm Seals



**BELLOFRAM®**  
Precision Controls

Precision Air Regulators  
Air, Gas, Steam & Water Regulators  
Vacuum and Backpressure Regulators  
I/P and E/P Transducers

**BelGAS**  
A Division of Emerson Process Control

Temperature Indicators  
Temperature Switches  
Capillary Bulb Type

**Marshalltown-Tempco**



**MOORE INDUSTRIES**  
WORLDWIDE

Process Controllers  
Multi-Loop  
Process Indicators with Switches



**POWERS PROCESS CONTROLS**  
*Quality...Our Commitment*

Control Valves – Globe Type  
Temperature Regulators  
Self Contained  
Temperature Controllers



**RCS**

Electric Actuators  
Modulating Controllers  
Spring Return – SURE  
Mounting to your valves.



**SVF**  
Flow Controls, Inc.

Ball Valves – 3-piece  
Pneumatic Actuators  
Electric Actuators  
Specialty Valves



Solenoid Valves  
Water – Air – Hot Water – Steam  
Pilot Valves



**Valve Actuator Mounting**

We stock electric actuators and can provide the mounting and testing to the valve of your choice

**Mountain Controls**

Mail: [mountaincontrolsinc@gmail.com](mailto:mountaincontrolsinc@gmail.com) Web: [www.mountaincontrols.com](http://www.mountaincontrols.com)  
Phone: 801-487-8795 Fax: 801-487-8798  
Salt Lake City, UT 84109