

## MARSHALLTOWN VALUE SERIES GAUGE

- ASME Grade B Accuracy
- Extra Savings with Quantity Pricing
- 5 Standard Mounting Options: LM, CB, UC, Right & Left

Marshalltown Value Series are the most economical, general purpose gauges in the Marsh gauge line. Suited for use with water, oil, air, gas, or other non-corrosive media.

Typical applications include FRL's, compressors, pumps, boilers, regulators, dryers as well as commercial and industrial equipment.

**New Expanded  
Ranges and Sizes!**

### STANDARD RANGES & PART NUMBERS

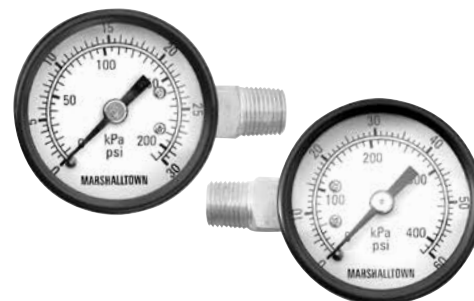
TYPE	MARSHALLTOWN VALUE SERIES GAUGES				
Size	1 1/2"				
Mounting	LM	UC	CB	Right	Left
Connection	1/2 NPT	1/2 NPT	1/2 NPT	1/2 NPT	1/2 NPT
0 to 15 psi	GG1515L8	GG1515U8	GG1515C8		
0 to 30 psi	GG1530L8	GG1530U8	GG1530C8	GG1530G8	GG1530F8
0 to 60 psi	GG1560L8	GG1560U8	GG1560C8	GG1560G8	GG1560F8
0 to 100 psi	GG15100L8	GG15100U8	GG15100C8		
0 to 160 psi	GG15160L8	GG15160U8	GG15160C8		
0 to 200 psi	GG15200L8	GG15200U8	GG15200C8		
0 to 300 psi	GG15300L8	GG15300U8	GG15300C8		
0 to 400 psi	GG15400L8	GG15400U8	GG15400C8		
0 to 600 psi	GG15600L8	GG15600U8	GG15600C8		
0 to 1,000 psi	GG151000L8	GG151000U8	GG151000C8		

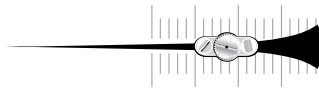
TYPE	MARSHALLTOWN VALUE SERIES GAUGES					
Size	2"					
Mounting	LM	LM	CB	CB	UC	UC
Connection	1/2 NPT	1/4 NPT	1/2 NPT	1/4 NPT	1/2 NPT	1/4 NPT
0 to 15 psi	GG2015L8	GG2015L4	GG2015C8	GG2015C4	GG2015U8	GG2015U4
0 to 30 psi	GG2030L8	GG2030L4	GG2030C8	GG2030C4	GG2030U8	GG2030U4
0 to 60 psi	GG2060L8	GG2060L4	GG2060C8	GG2060C4	GG2060U8	GG2060U4
0 to 100 psi	GG20100L8	GG20100L4	GG20100C8	GG20100C4	GG20100U8	GG20100U4
0 to 160 psi	GG20160L8	GG20160L4	GG20160C8	GG20160C4	GG20160U8	GG20160U4
0 to 200 psi	GG20200L8	GG20200L4	GG20200C8	GG20200C4	GG20200U8	GG20200U4
0 to 300 psi	GG20300L8	GG20300L4	GG20300C8	GG20300C4	GG20300U8	GG20300U4
0 to 400 psi	GG20400L8	GG20400L4	GG20400C8	GG20400C4	GG20400U8	GG20400U4
0 to 600 psi	GG20600L8	GG20600L4	GG20600C8	GG20600C4	GG20600U8	GG20600U4
0 to 1,000 psi	GG201000L8	GG201000L4	GG201000C8	GG201000C4	GG201000U8	GG201000U4
0 to 1,500 psi	GG201500L8	GG201500L4	GG201500C8	GG201500C4	Special Order	GG201500U4
0 to 2,000 psi	GG202000L8	GG202000L4	GG202000C8	GG202000C4	Special Order	GG202000U4
0 to 3,000 psi	GG203000L8	GG203000L4	GG203000C8	GG203000C4	Special Order	GG203000U4
0 to 5,000 psi	GG205000L8	GG205000L4	GG205000C8	GG205000C4	Special Order	GG205000U4



### SPECIFICATIONS

- ACCURACY**  
ASME Grade B =  $\pm 3/2/3\%$  ( $\pm 2\%$  of range across middle half of scale)
- CASE SIZES**  
1 1/2" and 2" diameter
- CASE MATERIAL**  
Steel, black painted
- CASE STYLE**  
CB – Center Back Mount  
LM – Lower Mount  
UC – U-Clamp Mount  
Right Mount  
Left Mount
- TUBE & SOCKET**  
Copper alloy
- MOVEMENT**  
Brass
- CONNECTION**  
1/2 & 1/4 NPT
- RANGES**  
15 to 5,000 psi
- DIAL STANDARD**  
Dual scale psi and kPa
- DIAL COLOR**  
Black markings on white
- POINTER**  
Aluminum, Black painted
- WINDOW**  
Flat plastic with steel friction ring
- RESTRICTOR**  
Standard for all ranges
- WEIGHT**
- |        |          |
|--------|----------|
| 1-1/2" | 0.2 lb.  |
| 2"     | 0.3 lb.  |
| 2-1/2" | 0.4 lb.  |
| 3-1/2" | 0.5 lb.  |
| 4-1/2" | 0.75 lb. |



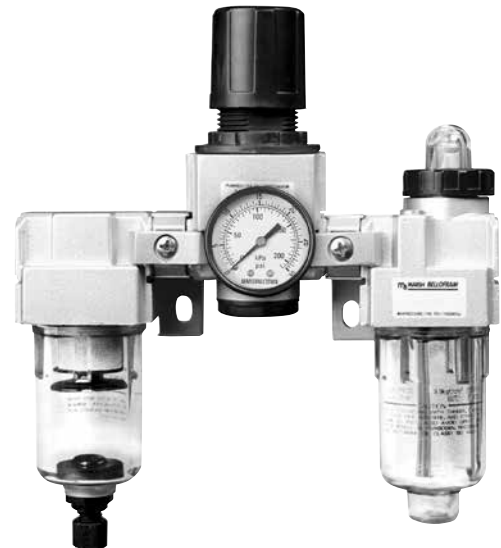


## STANDARD RANGES & PART NUMBERS

TYPE	MARSHALLTOWN VALUE SERIES GAUGES					
	2½"					
Size						
Mounting	LM	LM	CB	CB	UC	UC
Connection	¼ NPT	¼ NPT	¼ NPT	¼ NPT	¼ NPT	¼ NPT
0 to 30 psi	GG2530L8	GG2530L4	GG2530C8	GG2530C4	GG2530U8	GG2530U4
0 to 60 psi	GG2560L8	GG2560L4	GG2560C8	GG2560C4	GG2560U8	GG2560U4
0 to 100 psi	GG25100L8	GG25100L4	GG25100C8	GG25100C4	GG25100U8	GG25100U4
0 to 160 psi	GG25160L8	GG25160L4	GG25160C8	GG25160C4	GG25160U8	GG25160U4
0 to 200 psi	GG25200L8	GG25200L4	GG25200C8	GG25200C4	GG25200U8	GG25200U4
0 to 300 psi	GG25300L8	GG25300L4	GG25300C8	GG25300C4	GG25300U8	GG25300U4
0 to 400 psi	GG25400L8	GG25400L4	GG25400C8	GG25400C4	GG25400U8	GG25400U4
0 to 600 psi	GG25600L8	GG25600L4	GG25600C8	GG25600C4	GG25600U8	GG25600U4
0 to 1,000 psi	GG251000L8	GG251000L4	GG251000C8	GG251000C4	GG251000U8	GG251000U4
0 to 1,500 psi	GG251500L8	GG251500L4	GG251500C8	GG251500C4	GG251500U8	GG251500U4
0 to 2,000 psi	GG252000L8	GG252000L4	GG252000C8	GG252000C4	Special Order	GG252000U4
0 to 3,000psi	GG253000L8	GG253000L4	GG253000C8	GG253000C4	Special Order	GG253000U4
0 to 5,000psi	GG255000L8	GG255000L4	GG255000C8	GG255000C4	Special Order	GG255000U4

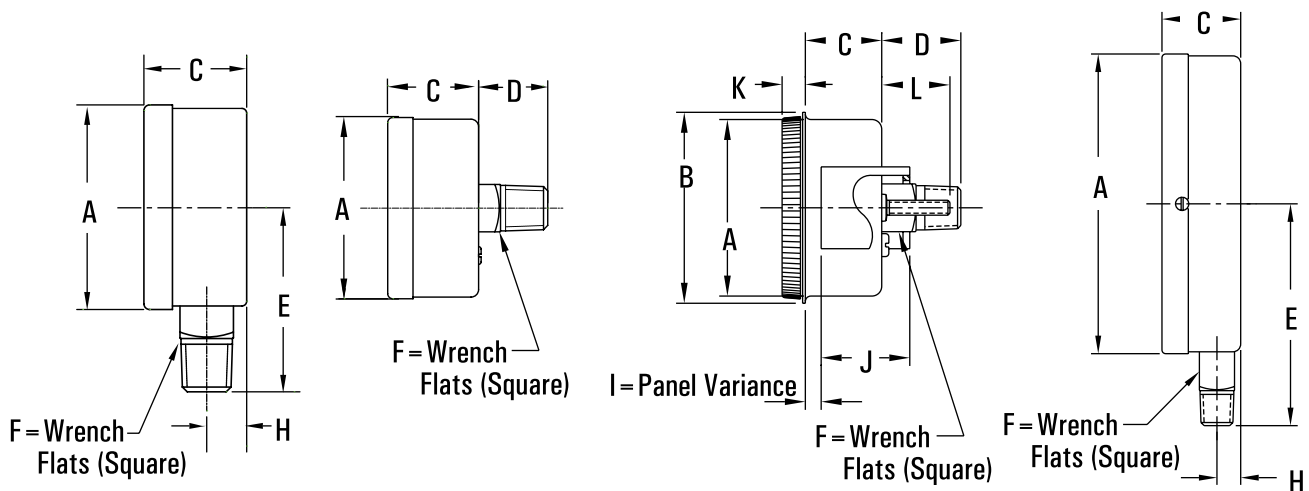
TYPE	MARSHALLTOWN VALUE SERIES GAUGES		
	3½"		
Size			
Mounting	LM	CB	UC
Connection	¼ NPT	¼ NPT	¼ NPT
0 to 30 psi	GG3530L4	GG3530C4	GG3530U4
0 to 60 psi	GG3560L4	GG3560C4	GG3560U4
0 to 100 psi	GG35100L4	GG35100C4	GG35100U4
0 to 160 psi	GG35160L4	GG35160C4	GG35160U4
0 to 200 psi	GG35200L4	GG35200C4	GG35200U4
0 to 300 psi	GG35300L4	GG35300C4	GG35300U4
0 to 400 psi	GG35400L4	GG35400C4	GG35400U4
0 to 600 psi	GG35600L4	GG35600C4	GG35600U4
0 to 1,000 psi	GG351000L4	GG351000C4	GG351000U4
0 to 1,500 psi	GG351500L4	GG351500C4	GG351500U4
0 to 2,000 psi	GG352000L4	GG352000C4	GG352000U4
0 to 3,000psi	GG353000L4	GG353000C4	GG353000U4
0 to 5,000psi	GG355000L4	GG355000C4	GG355000U4

TYPE	MARSHALLTOWN
	4½"
Size	
Mounting	LM
Connection	¼ NPT
0 to 30 psi	GG4530L4
0 to 60 psi	GG4560L4
0 to 100 psi	GG45100L4
0 to 160 psi	GG45160L4
0 to 200 psi	GG45200L4
0 to 300 psi	GG45300L4
0 to 400 psi	GG45400L4
0 to 600 psi	GG45600L4
0 to 1,000 psi	GG451000L4
0 to 1,500 psi	GG451500L4
0 to 2,000 psi	GG452000L4
0 to 3,000psi	GG453000L4
0 to 5,000psi	GG455000L4



## DIMENSIONS

Part Number	Dial Size	Mount	A	B	C	D	E	F	H	I	J	K	L
GG15XXXXL8	1.5"	1/8" LM	1.606		0.89		1.488	0.433	0.296				
GG15XXXXC8	1.5"	1/8" CB	1.57		0.92	1.61		0.433					
GG15XXXXU8	1.5"	1/8" UC	1.606	1.86	0.89	0.61		0.433		0-0.25	1.05	0.16	0.52
GG20XXXXL8	2.0"	1/8" LM	2.047		1.122		1.787	0.534	0.376				
GG20XXXXC8	2.0"	1/8" CB	2.047		1.122	0.64		0.534					
GG20XXXXU8	2.0"	1/8" UC	1.97	2.24	1.01	0.64		0.534		0-0.26	1.15	0.16	0.52
GG20XXXXL4	2.0"	1/4" LM	2.047		1.122		1.787	0.551	.0385				
GG20XXXXC4	2.0"	1/4" CB	2.047		1.022	0.74		0.534					
GG20XXXXU4	2.0"	1/4" UC	1.97	2.24	1.01	0.74		0.534		0-0.26	1.15	0.16	0.52
GG25XXXXL8	2.5"	1/8" LM	2.496		1.134		1.961	0.539	0.388				
GG25XXXXC8	2.5"	1/8" CB	2.496		1.134	0.66		0.543					
GG25XXXXU8	2.5"	1/8" UC	2.55	2.55	0.97	0.74		0.543		0-0.24	1.18	0.23	0.52
GG25XXXXL4	2.5"	1/4" LM	2.496		1.134		1.961	0.543	0.39				
GG25XXXXC4	2.5"	1/4" CB	2.496		1.122	0.771		0.543					
GG25XXXXU4	2.5"	1/4" UC	2.55	2.55	0.97	0.74		0.543		0-0.24	1.18	0.23	0.52
GG35XXXXL4	3.5"	1/4" LM	3.488		1.22		2.717	0.543	0.413				
GG35XXXXC4	3.5"	1/4" CB	3.488		1.22	0.86		0.543					
GG35XXXXU4	3.5"	1/4" UC	3.75	3.96	0.99	0.71		0.543		0-0.37	1.2	2	0.73
GG45XXXXL4	4.5"	1/4" LM	4.941		1.142		3.409	0.551	0.394				



# Mountain Controls



**COPPUS®**  
Air Movers

Portable Ventilators  
Fans & Blowers  
Welding Fume Exhausters  
Mist Coolers & Duct



**A-T Controls, Inc.**

Ball Valves and Actuators  
Spring Return Electric Actuators  
Resilient Seated Butterfly Valves  
High Performance Butterfly Valves



**MARSH®**

Pressure Gauges  
Thermometers  
Needle Valves and Diaphragm Seals



**BELLOFRAM®**  
Precision Controls

Precision Air Regulators  
Air, Gas, Steam & Water Regulators  
Vacuum and Backpressure Regulators  
I/P and E/P Transducers

**BelGAS**  
A Division of Emerson Process Control

Temperature Indicators  
Temperature Switches  
Capillary Bulb Type

**Marshalltown-Tempco**



**MOORE INDUSTRIES**  
WORLDWIDE

Process Controllers  
Multi-Loop  
Process Indicators with Switches



**POWERS PROCESS CONTROLS**  
*Quality...Our Commitment*

Control Valves – Globe Type  
Temperature Regulators  
Self Contained  
Temperature Controllers



**RCS**

Electric Actuators  
Modulating Controllers  
Spring Return – SURE  
Mounting to your valves.



**SVF**  
Flow Controls, Inc.

Ball Valves – 3-piece  
Pneumatic Actuators  
Electric Actuators  
Specialty Valves



Solenoid Valves  
Water – Air – Hot Water – Steam  
Pilot Valves



**Valve Actuator Mounting**

We stock electric actuators and can provide the mounting and testing to the valve of your choice

**Mountain Controls**

Mail: [mountaincontrolsinc@gmail.com](mailto:mountaincontrolsinc@gmail.com) Web: [www.mountaincontrols.com](http://www.mountaincontrols.com)  
Phone: 801-487-8795 Fax: 801-487-8798  
Salt Lake City, UT 84109