

## QUALITY SERIES 100MM STAINLESS STEEL INTERNAL GAUGE



### SPECIFICATIONS

**ACCURACY**  
ASME Grade 1A – ±1.0% of range across full scale

**CASE SIZES**  
100mm diameter (4")

**CASE MATERIAL**  
304 Stainless Steel

**CASE STYLES**  
LM – Lower Mount

**TUBE & SOCKET**  
316 Stainless Steel Welded to Case

**MOVEMENT** Stainless Steel

**CONNECTION**  
¼ NPT (H207xx), ½ NPT (H209xx)

**RANGES**  
Vacuum to 20,000 psi

**DIAL STANDARD**  
Dual scale psi and kPa

**DIAL COLOR**  
Black markings on white

**POINTER**  
Aluminum, black painted, micro-adjustable

**WINDOW** Safety Glass (Tempered)

**FILL MEDIUM** See options

**VENT**  
Rubber plug with snip-off feature

**RESTRICTOR**  
Standard for all ranges

**WEIGHT**  
Filled 2.0 lb.  
Dry 1.3 lb.

- Liquid Filled or Dry - Field Fillable
- Adjustable Micrometer Pointer
- Ranges to 20,000 psi
- Safety Glass Window

Marsh Stainless Steel gauges are built for extended life and are designed for harsh and corrosive environments. They feature a top fill plug, polished bayonet ring and are field fillable. Liquid filled gauges offer significant cushioning and dampening plus extend the life of a gauge.

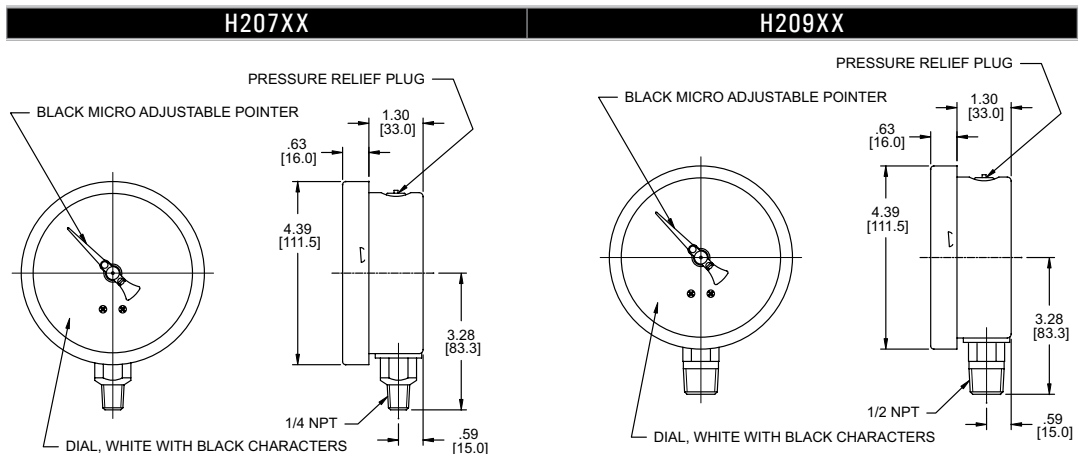
Typical applications include Oil patch, Refineries, Oil Rigs, Control Panels, Offshore Platforms, Marine and General Industrial.

- NACE: MR0175  
Gauges met NACE standards for material and hardness

### STANDARD RANGES & PART NUMBERS

TYPE	QUALITY SERIES 100MM SS INTERNAL		
Size	100mm	100mm	NACE 100mm
Case Material	Stainless Steel	Stainless Steel	Stainless Steel
Internals	316 SS	316 SS	316 SS
Mounting / Case Style	LM	LM	LM
Connection	¼ NPT	½ NPT	½ NPT
Scale Standard	psi/kPa	psi/kPa	psi/kPa
0 to 30" Hg Vacuum	H20705	H20905	
0 to 15 psi	H20740	H20940	HN20940
0 to 30 psi	H20742	H20942	HN20942
0 to 60 psi	H20746	H20946	HN20946
0 to 100 psi	H20748	H20948	HN20948
0 to 160 psi	H20752	H20952	HN20952
0 to 200 psi	H20754	H20954	HN20954
0 to 300 psi	H20758	H20958	HN20958
0 to 400 psi	H20760	H20960	HN20960
0 to 600 psi	H20764	H20964	HN20964
0 to 1,000 psi	H20772	H20972	HN20972
0 to 1,500 psi	H20774	H20974	HN20974
0 to 2,000 psi	H20776	H20976	HN20976
0 to 3,000 psi	H20778	H20978	HN20978
0 to 5,000 psi	H20782	H20982	HN20982
0 to 10,000 psi	H20790	H20990	HN20990
0 to 15,000 psi	H20792	H20992	HN20992
0 to 20,000 psi	H20794	H20994	HN20994

ALL DIMENSIONS ARE NOMINAL



To order filled, see filling chart below.

### QUALITY SERIES 100MM STAINLESS STEEL INTERNAL GAUGE OPTIONS

OPTION	TYPE	SUFFIX	AVAILABLE ON MODELS
Fill Medium	Dry (no fill)	Standard	All ranges
	Glycerine (GL)	Add suffix P	
	Silicone (SL)	Add suffix PI	
Catalog Dials	psi only	E	
	Bar only	L1	
	kg/cm <sup>2</sup> only	L2	
	kPa only	L3	
	MPa only	L4	
	psi & BAR	W1	
	psi & kg/cm <sup>2</sup>	W2	
	psi & MPa	W4	



NACE 100mm



## QUALITY SERIES 100MM COPPER ALLOY INTERNAL GAUGE

- Liquid Filled or Dry
- Removable polished bayonet ring
- Ranges to 10,000 psi
- Safety Glass Window

Stainless steel case with copper alloy internals. Ideal for heavy duty service in industrial and commercial environments. Features robust design with removable polished bayonet ring and adjustable pointer. Field fillable.

Typical applications include industrial machinery, oil field equipment and controls, wellheads, pipeline and general industrial.

### STANDARD RANGES & PART NUMBERS

TYPE	QUALITY SERIES 100MM COPPER ALLOY INTERNAL	
Size	100mm	100mm
Case Material	Stainless Steel	Stainless Steel
Internals	Copper Alloy	Copper Alloy
Mounting / Case Style	LM	LM
Connection	¼ NPT	½ NPT
Scale Standard	psi	psi
0 to 30" Hg Vacuum	H20305	H20505
0 to 15 psi	H20340	H20540
0 to 30 psi	H20342	H20542
0 to 60 psi	H20346	H20546
0 to 100 psi	H20348	H20548
0 to 160 psi	H20352	H20552
0 to 200 psi	H20354	H20554
0 to 300 psi	H20358	H20558
0 to 400 psi	H20360	H20560
0 to 600 psi	H20364	H20564
0 to 1,000 psi	H20372	H20572
0 to 1,500 psi	H20374	H20574
0 to 2,000 psi	H20376	H20576
0 to 3,000 psi	H20378	H20578
0 to 5,000 psi	H20382	H20582
0 to 10,000 psi	H20390	H20590

ALL DIMENSIONS ARE NOMINAL



### SPECIFICATIONS

**ACCURACY**  
ASME Grade 1A – ±1.0% of range across full scale

**CASE SIZES**  
100mm diameter (4")

**CASE MATERIAL**  
304 Stainless Steel

**CASE STYLES**  
LM – Lower Mount

**TUBE & SOCKET**  
Copper alloy

**MOVEMENT**  
Stainless Steel

**CONNECTION**  
¼ and ½ NPT lower mount

**RANGES**  
Vacuum to 10,000 psi

**DIAL STANDARD**  
Single scale psi

**DIAL COLOR**  
Black markings on white

**POINTER**  
Aluminum, black painted, micro-adjustable

**WINDOW**  
Safety Glass

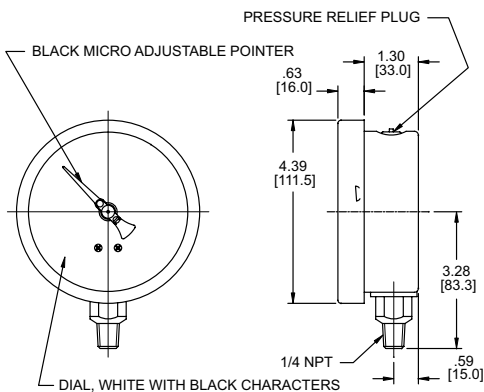
**FILL MEDIUM**  
See options

**VENT**  
Rubber plug with snip-off feature

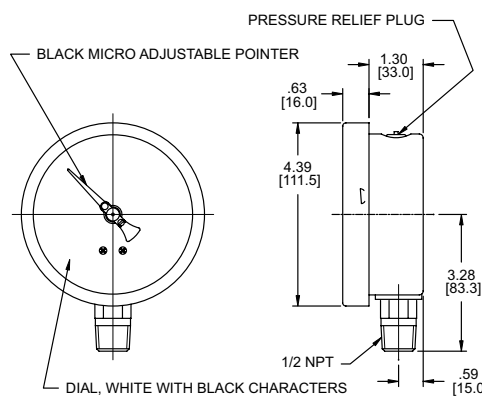
**RESTRICTOR**  
Standard for all ranges

**WEIGHT**  
Filled 2.0 lb.  
Dry 1.3 lb.

### H203XX



### H205XX



To order filled, see filling chart below.

### QUALITY SERIES 100MM COPPER ALLOY INTERNAL GAUGE OPTIONS

OPTION	TYPE	SUFFIX	AVAILABLE ON MODELS
Fill Medium	Dry (no fill)	Standard	All ranges
	Glycerine (GL)	Add suffix P	
	Silicone (SL)	Add suffix PI	
Catalog Dials	bar only	L1	
	kg/cm <sup>2</sup> only	L2	
	kPa only	L3	
	MPa only	L4	
	psi & BAR	W1	
	psi & kg/cm <sup>2</sup>	W2	
	psi & kPa	W3	
	psi & MPa	W4	

## 'HW' 160MM STAINLESS STEEL GAUGE

- Liquid Filled or Dry - Field Fillable
- Socket Welded to the Case
- Ranges to 20,000 psi
- Heavy Duty All Stainless Steel

Marsh Instruments Stainless Steel Gauges are built for extended life, and designed for harsh and corrosive environments. These stainless steel gauges feature top fill plugs and are field fillable. Pressure ranges are available to 20,000psi. Marsh Liquid Filled Gauges offer significant cushioning and dampening which reduces pointer flutter and internal gauge damage.

Typical applications include refineries, chemical plants, offshore platforms, oil rigs, marine applications, general industrial application and OEM processes.



### SPECIFICATIONS

#### ACCURACY

ASME Grade 1A - ±1.0% of range across full scale

#### CASE SIZES

160mm diameter (6")

#### CASE MATERIAL

304 Stainless Steel

#### CASE STYLES

LM - Lower Mount

#### TUBE & SOCKET

316 Stainless steel welded to the case

#### MOVEMENT

Stainless Steel

#### CONNECTION

½ NPT

#### RANGES

15 to 20,000 psi

#### DIAL STANDARD

Dual scale psi and kPa

#### DIAL COLOR

Black markings on white

#### POINTER

Aluminum, black painted

#### WINDOW

Safety glass

#### FILL MEDIUM

See options

#### VENT

Rubber plug with snip-off feature

#### WEIGHT

Filled 4.0 lb.

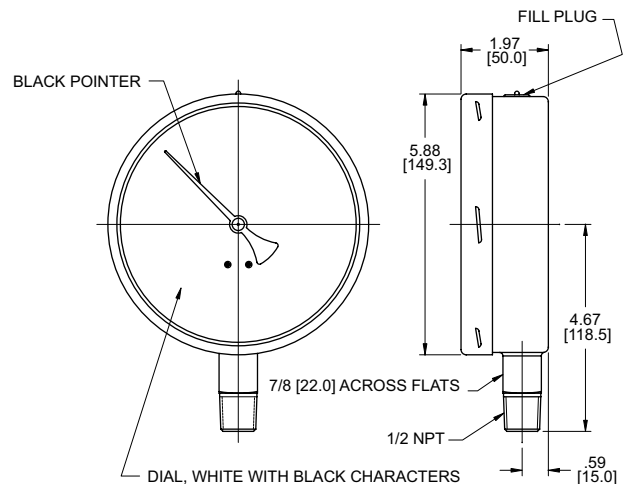
Dry 3.4 lb.

### STANDARD RANGES & PART NUMBERS

TYPE	'HW' 160MM SS GAUGES
Size	160mm
Case Material	304 Stainless Steel
Internals	316 Stainless Steel
Mounting / Case Style	LM
Connection	½ NPT
Scale Standard	psi/kPa
0 to 15 psi	
0 to 30 psi	HW30942
0 to 60 psi	HW30946
0 to 100 psi	HW30948
0 to 160 psi	HW30952
0 to 200 psi	HW30954
0 to 300 psi	HW30958
0 to 400 psi	HW30960
0 to 600 psi	HW30964
0 to 1,000 psi	HW30972
0 to 1,500 psi	HW30974
0 to 2,000 psi	HW30976
0 to 3,000 psi	HW30978
0 to 5,000 psi	HW30982
0 to 10,000 psi	HW30990
0 to 20,000 psi	HW30994

NOTE:   Items are available on special order. However, minimums and lead times apply. Consult factory. NOTE: To order filled, consult filling chart below.

ALL DIMENSIONS ARE NOMINAL



### 'HW' 160MM STAINLESS STEEL GAUGE OPTIONS

OPTION	TYPE	SUFFIX	AVAILABLE ON MODELS
Fill Medium	Dry (no fill)	Standard	All ranges
	Glycerine (GL)	Add suffix P	
	Silicone (SL)	Add suffix PI	
Catalog Dials	psi only	E	
	BAR only	L1	
	kg/cm <sup>2</sup> only	L2	
	kPa only	L3	
	MPa only	L4	
	psi & BAR	W1	
	psi & kg/cm <sup>2</sup>	W2	
psi & MPa	W4		



# Mountain Controls



**COPPUS®**  
Air Movers

Portable Ventilators  
Fans & Blowers  
Welding Fume Exhausters  
Mist Coolers & Duct



**A-T Controls, Inc.**

Ball Valves and Actuators  
Spring Return Electric Actuators  
Resilient Seated Butterfly Valves  
High Performance Butterfly Valves



**MARSH®**

Pressure Gauges  
Thermometers  
Needle Valves and Diaphragm Seals



**BELLOFRAM**  
Precision Controls

Precision Air Regulators  
Air, Gas, Steam & Water Regulators  
Vacuum and Backpressure Regulators  
I/P and E/P Transducers

**BelGAS**

Temperature Indicators  
Temperature Switches  
Capillary Bulb Type

**Marshalltown-Tempco**



**MOORE INDUSTRIES**  
WORLDWIDE

Process Controllers  
Multi-Loop  
Process Indicators with Switches



**POWERS PROCESS CONTROLS**  
*Quality...Our Commitment*

Control Valves – Globe Type  
Temperature Regulators  
Self Contained  
Temperature Controllers



**RCS**

Electric Actuators  
Modulating Controllers  
Spring Return – SURE  
Mounting to your valves.



**SVF**  
Flow Controls, Inc.

Ball Valves – 3-piece  
Pneumatic Actuators  
Electric Actuators  
Specialty Valves



**VALVES**

Solenoid Valves  
Water – Air – Hot Water – Steam  
Pilot Valves



**Valve Actuator Mounting**

We stock electric actuators and can provide the mounting and testing to the valve of your choice

**Mountain Controls**

Mail: [mountaincontrolsinc@gmail.com](mailto:mountaincontrolsinc@gmail.com) Web: [www.mountaincontrols.com](http://www.mountaincontrols.com)  
Phone: 801-487-8795 Fax: 801-487-8798  
Salt Lake City, UT 84109