

QUALITY GAUGE

- Dial Sizes: 3½" and 4½"
- 3 Case Styles
- Recalibrator Standard on 3½"; Adjustable pointer standard on 4½"
- Ranges to 20,000 psi

Marsh Quality Gauges feature the exclusive recalibrator and the accuracy is within ±1% in the middle half of span. These gauges provide continuous service at an economical price.

Typical applications include air compressors, reciprocating pumps, boilers, engines, hydraulic presses and countless other industrial and OEM applications.

SPECIFICATIONS

ACCURACY

ASME Grade A - ±2/12% (±1% of range in middle half of scale)

CASE SIZES

3½" and 4½" diameter
6" diameter (see options)

CASE MATERIAL

Steel, black painted

CASE STYLE

F - Front Flanged, Lower Back Mount with U-Clamp has Hinged Ring (LBM)
G - Back Flanged case
P - Plain Case, Lower Mount

TUBE

0 - 1,000 PSI: Copper alloy
1,500 PSI - 20,000 PSI: Stainless Steel

SOCKET

Copper alloy

MOVEMENT

Stainless Steel

CONNECTION

¼ or ½ NPT

RANGES

0 to 30" Hg VAC; Compound 30" Hg VAC to 300 psi; 15 to 20,000 psi

DIAL STANDARD

Single scale psi

DIAL COLOR

Black markings on white

POINTER

Aluminum, black painted

WINDOW

Instrument Glass

WEIGHT

3½" 2.0 lb.
4½" 3.0 lb.

STANDARD RANGES & PART NUMBERS

TYPE	QUALITY GAUGES						
	Adjustable Pointer						
Size	3½"				4½"		
Pressure Element	1,000 PSI and below / Copper Alloy, above 1,000 PSI / SS						
Case Material	Steel				Steel		
Mounting	LM	LM	LBM	LBM	LM	LM	LBM
Connection	¼ NPT	¼ NPT	¼ NPT	¼ NPT	¼ NPT	¼ NPT	¼ NPT
Case Style	P	G	G	F	P	P	F
Scale Standard	psi	psi	psi	psi	psi	psi	psi
0 to 30" Hg VAC	H0205	H1205	H1805	H2005	H4205	H4805	H6005
30" Hg VAC to 30 psi	H0212	H1212	H1812	H2012	H4212	H4812	H6012
30" Hg VAC to 60 psi	H0214	H1214	H1814	H2014	H4214	H4814	H6014
30" Hg VAC to 150 psi	H0218	H1218	H1818	H2018	H4218	H4818	H6018
30" Hg VAC to 300 psi	H0224	H1224	H1824	H2024	H4224	H4824	H6024
0 to 15 psi	H0240		H1840				
0 to 30 psi	H0242	H1242	H1842	H2042	H4242	H4842	H6042
0 to 60 psi	H0246	H1246	H1846	H2046	H4246	H4846	H6046
0 to 100 psi	H0248	H1248	H1848	H2048	H4248	H4848	H6048
0 to 160 psi	H0252	H1252	H1852	H2052	H4252	H4852	H6052
0 to 200 psi	H0254	H1254	H1854	H2054	H4254	H4854	H6054
0 to 300 psi	H0258	H1258	H1858	H2058	H4258	H4858	H6058
0 to 400 psi	H0260	H1260	H1860	H2060	H4260	H4860	H6060
0 to 600 psi	H0264	H1264	H1864	H2064	H4264	H4864	H6064
0 to 1,000 psi	H0272	H1272	H1872	H2072	H4272	H4872	H6072
0 to 1,500 psi	H0274	H1274	H1874	H2074		H4874	
0 to 2,000 psi	H0276	H1276	H1876	H2076		H4876	
0 to 3,000 psi	H0278	H1278	H1878	H2078		H4878	H6078
0 to 4,000 psi	H0280	H1280	H1880	H2080			
0 to 5,000 psi	H0282	H1282	H1882	H2082		H4882	H6082
0 to 6,000 psi	H0284	H1284	H1884	H2084			
0 to 10,000 psi	H0290	H1290	H1890	H2090		H4890	
0 to 15,000 psi	H0292	H1292	H1892	H2092			
0 to 20,000 psi	H0294	H1294	H1894	H2094			

NOTE: Items are available on special order. However, minimums and lead times apply. Consult factory.



QUALITY GAUGES

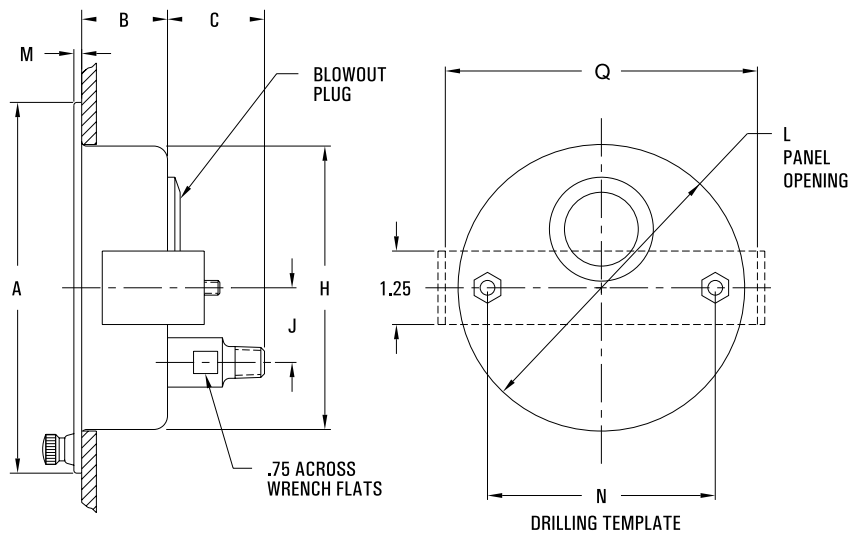
Dial Divisions	Quality Gauge 2/1 1/2% of Span	
Ranges	Figure Intervals	Minor Gradua- tions
Vacuum	3	0.2
COMPOUND		
30" Hg VAC to 15 psi	5	3 0.5 0.2
30" Hg VAC to 30 psi	10	5 1 0.5
30" Hg VAC to 60 psi	10	10 1 0.5
30" Hg VAC to 150 psi	30	30 2 1
30" Hg VAC to 300 psi	30	30 5 2
PRESSURE		
0 to 15 psi	1	0.1
0 to 30 psi	5	0.2
0 to 60 psi	5	0.5
0 to 100 psi	10	1
0 to 160 psi	20	2
0 to 200 psi	20	2
0 to 300 psi	50	2
0 to 400 psi	50	2
0 to 600 psi	50	5
HIGH PRESSURE		
0 to 1,000 psi	100	10
0 to 1,500 psi	300	20
0 to 2,000 psi	200	20
0 to 3,000 psi	500	20
0 to 4,000 psi	500	50
0 to 5,000 psi	500	50
0 to 6,000 psi	1,000	100
0 to 10,000 psi	1,000	100
0 to 15,000 psi	3,000	200
0 to 20,000 psi	2,000	200

QUALITY GAUGE OPTIONS

OPTION	TYPE	SUFFIX	AVAILABLE ON MODELS
Restrictors	Add restrictor	H	All ranges
	bar only	L1	
	kg/cm ² only	L2	
	kPa only	L3	
	MPa only	L4	
	psi & bar	W1	See Marsh Price List for minimum
	psi & kg/cm ²	W2	
psi & kPa	W3		
psi & MPa	W4		
Custom Dials	Logo or Custom Face	M	All models - consult factory
Window	Acrylic (AY)	F2	3 1/2" - 4 1/2"
	Safety Glass (SG)	F3	3 1/2" - 4 1/2"
Increased Accuracy	Grade 1A: ±1% full scale	B	All models
Cases	Aluminum Back Flange	J	4 1/2" consult factory
	Steel Hinged Ring Case	J	4 1/2" consult factory

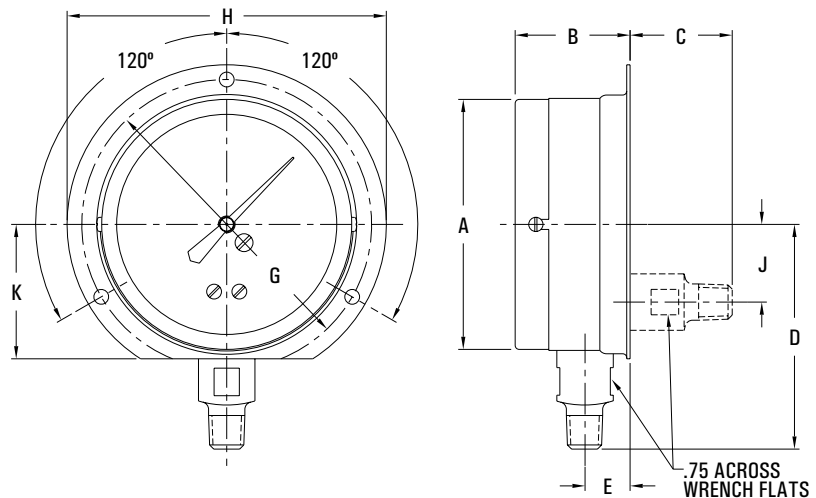
CASE PATTERNS & DIMENSIONS

ALL DIMENSIONS ARE NOMINAL



Size	A	B	C	H	J	L	M	N	Q
3 1/2"	4.86	1.66	1.55	3.75	1.16	3.75	.11	2.81	4.25
4 1/2"	6.31	1.39	2.15	4.81	1.27	4.88	.11	3.88	5.31

ALL DIMENSIONS ARE NOMINAL



Size	A	B	C	D	E	G	J	K	Panel Mounting
3 1/2"	3.72	1.69	1.55	3.34	.67	4.31	1.16	2.00	.22

Mountain Controls



COPPUS®
Air Movers

Portable Ventilators
Fans & Blowers
Welding Fume Exhausters
Mist Coolers & Duct



A-T Controls, Inc.

Ball Valves and Actuators
Spring Return Electric Actuators
Resilient Seated Butterfly Valves
High Performance Butterfly Valves



MARSH®

Pressure Gauges
Thermometers
Needle Valves and Diaphragm Seals



BELLOFRAM
Precision Controls

Precision Air Regulators
Air, Gas, Steam & Water Regulators
Vacuum and Backpressure Regulators
I/P and E/P Transducers

BelGAS

Temperature Indicators
Temperature Switches
Capillary Bulb Type

Marshalltown-Tempco



MOORE INDUSTRIES
WORLDWIDE

Process Controllers
Multi-Loop
Process Indicators with Switches



POWERS PROCESS CONTROLS
Quality...Our Commitment

Control Valves – Globe Type
Temperature Regulators
Self Contained
Temperature Controllers



RCS

Electric Actuators
Modulating Controllers
Spring Return – SURE
Mounting to your valves.



SVF
Flow Controls, Inc.

Ball Valves – 3-piece
Pneumatic Actuators
Electric Actuators
Specialty Valves



VALVES

Solenoid Valves
Water – Air – Hot Water – Steam
Pilot Valves



Valve Actuator Mounting

We stock electric actuators and can provide the mounting and testing to the valve of your choice

Mountain Controls

Mail: mountaincontrolsinc@gmail.com Web: www.mountaincontrols.com
Phone: 801-487-8795 Fax: 801-487-8798
Salt Lake City, UT 84109